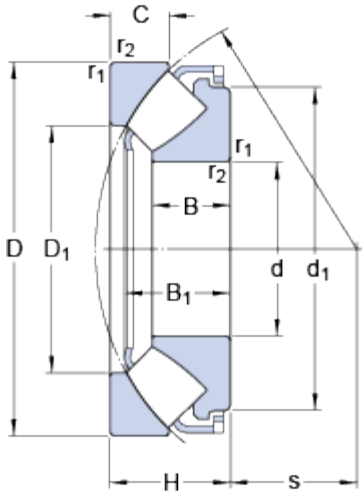


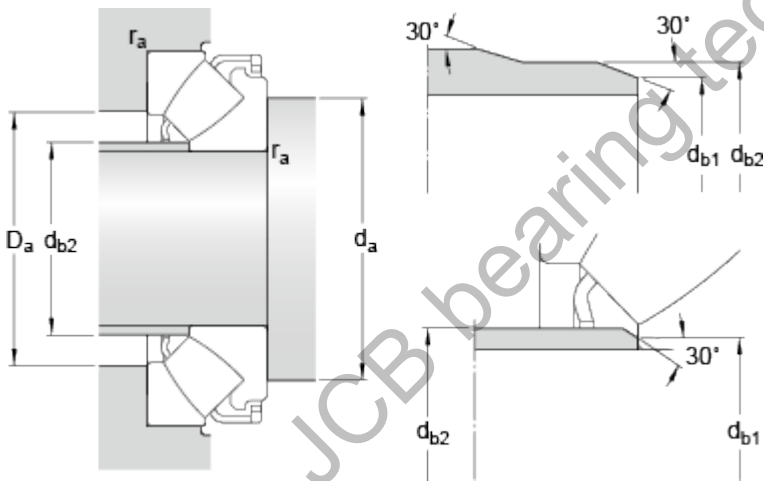
29414EX

Dimensions



d	70	mm
D	150	mm
H	48	mm
d ₁	≈ 129	mm
D ₁	≈ 99	mm
B	31	mm
B ₁	41	mm
C	23.8	mm
s	44.8	mm
r _{1,2}	min. 2	mm

Abutment dimensions



d _a	min. 105	mm
d _{b1}	max. 77.5	mm
d _{b2}	max. 77.5	mm
D _a	max. 125	mm
r _a	max. 2	mm

Calculation data

Basic dynamic load rating	C	520	kN
Basic static load rating	C ₀	1250	kN
Fatigue load limit	P _u	153	kN
Reference speed		2400	r/min
Limiting speed		4300	r/min
Minimum axial load factor	A	0.15	

Mass

Mass bearing		3.9	kg
--------------	--	-----	----